



SINOCERA



Global Sensor Technology

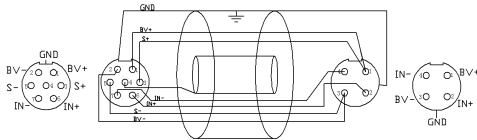
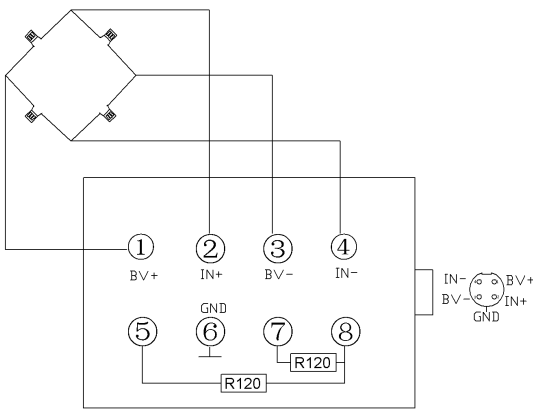
Bridge Box

Model: YE29003A

Accessories: 2 meter Seven-core cable fitted with a seven-pin plug at one end and a four-pin plug at other end used to strain gauge sensor to YE3830A Conditioner.



Electronic Circuit Diagram of YE29003A Bridge:



Gage method	Bridge circuit	Wiring to the kridge box
1-Gage method (2-wire system)		
1-Gage method (3-wire system)		
2-Gage method		
2-Gage method (3-wire active system)		
4-Gage method		

VIN positive input As DC Amplifier	VIN negative input As DC Amplifier	INPUT Connect to GND