



Piezoelectric Pressure Transducer (High Sen)

Model: CY-YD-211

Features:

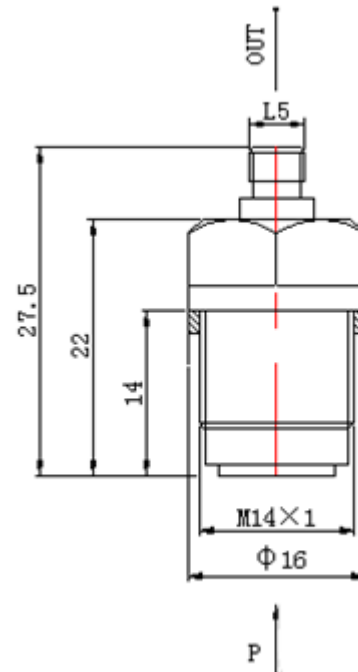
- Passive PE charge type, ultra-high sensitivity
- Gas, liquid fretting pressure measurement
- Available for pipeline leak monitoring
- Wide frequency response, large rigidity



Main Specifications:

Pressure sensitivity(20±5℃)	5000~30000 pC/MPa
Measurement Range	50Pa~1 MPa 50Pa~5 MPa
Overload	120 %
Non-linearity	<5% FS
Hysteresis	<5% FS
Repeatability	<5% FS
Isolation Resistance	> 10 ⁹ Ω
Capacitance (1000Hz)	~4000 pF
Resonant Frequency	>50 kHz
Operating Temperature	-40~+80 °C
Case Material	Stainless steel
Weight	25 g
Mounting	M14*1
Sensing Element	Piezoelectric Ceramics
Output	L5
Accessories	
Certificate	Calibration parameters
Protective cap	One
Sealing gasket	one
L5 /L5 STYV-1 Cable	one(2m)

Dimensions



Typical Static Error Curve

