



SINOCERA



Global Sensor Technology

Easy Mounting Pressure Transducer

Model CY-YD-205

FEATURES

- Small size and light weight
- Static calibration
- High stiffness and wide frequency range
- Pressure measurement inside pipes and explosions
- Easy mounting



SUPPLIED WITH

- Calibration chart
- Protective cap
- Seal washer
- STYV-1 cable fitted with L5 connector(2m)

STATIC PERFORMANCE

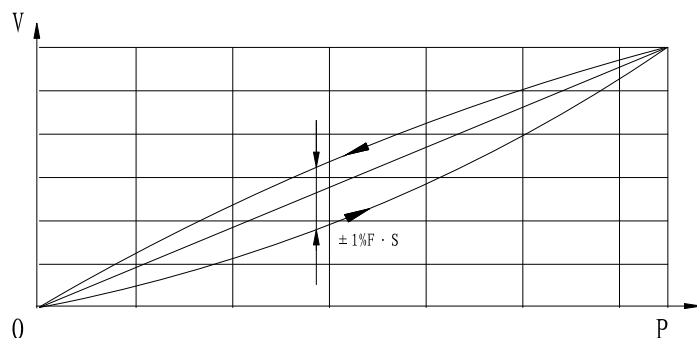
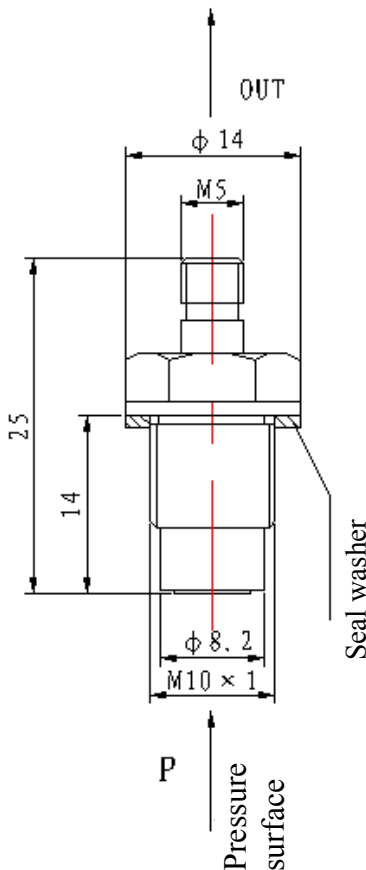
Sensitivity (20±5C)	35 PC/10 ⁵ Pa
Measurement range	0 to 30MPa/0~60MPa
Overload	120% of full scale
Non-linearity	<1% of full scale
Delay	<1% of full scale
Repeatability	<1% of full scale
Isolation resistance	>10 ¹³ Ω
Capacitance (1000Hz)	7pF

DYNAMIC PERFORMANCE

Natural resonance	>100kHz
Temperature range	-40 to +150°C

PHYSICAL CHARACTERISTICS

Weight	10g
Case material	High strength stainless steel
Mounting	M10×1
Sensing element	Quartz
Electrical connection	L5 connector



Typical static calibration chart