



SINOCERA



Global Sensor
Technology

Quartz Force Sensor (Compression Only)

Model: CL-YD-305

FEATURES

- Quartz force transducer for measuring dynamic or quasi-static force.
- Wide frequency range.
- Small size, light weight, laser welding.
- Easy to mount and use.
- Supporting with LC - 04A impact hammer.

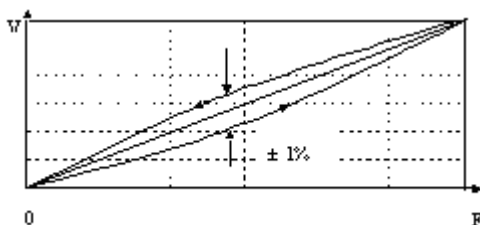
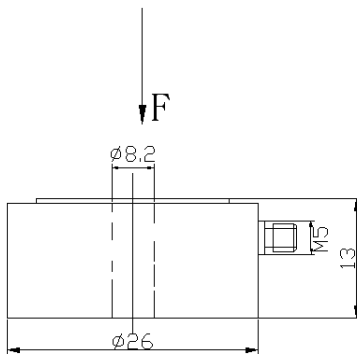


SUPPLIED WITH

Calibration chart.
Protective cap.
STYV-1 Lower noise cable (2m).

Technical Specifications:

Sensitivity (20±5°C)	4pC/N
Calibrated range	0 to 60,000N
Overload	120 %
Linearity,	<1%F·S.
Hysteresis,	<1%F·S
Repeatability	<1%F·S
Capacitance	15pF
Insulation Resistance	>1013Ω
Resonance Frequency	>55kHz
Operating Temperature Range	-40 to +200 °C
Weight	40 g
Case Material	High Strength Stainless Steel
Mounting	Φ8.2 hole
Sensing Element	Quartz
Output Type	Side -L5



Typical static calibration curve (3 times average)