



SINOCERA



Global Sensor Technology

Piezoelectric Accelerometer (IEPE)

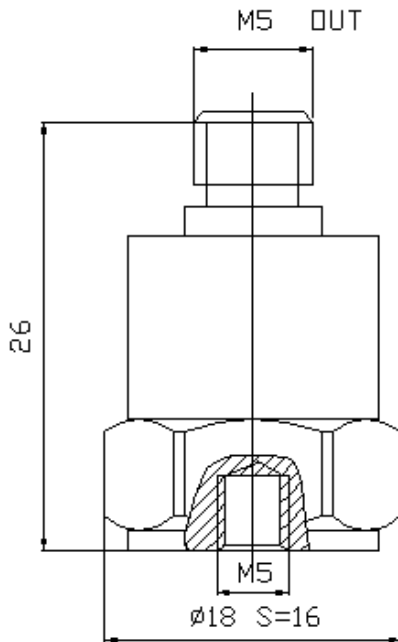
Model: CA-YD-185

FEATURES

- Internal IC circuit
- Low output impedance

SUPPLIED WITH

- Calibration chart
- Mounting Screw
- Protection cap
- STYV-1 cable fitted with L5 connectors (2M)



CHARACTERISTICS

Sensitivity (20±5°C)	5mV/ms-2
Max. Operational Range (±peak)	1,000 ms-2
Transverse Sensitivity	≤5 %
Frequency Range (±0.5dB)	0.5 to 5,000 Hz
Mounting Resonance Frequency	25,000 Hz
Operational Temp	Range -40 to +120 °C
Shock Limit (±peak)	1,000g
Operational Voltage	+18 to +30V (DC)
Operational Current	2 to 10mA
Max. Output Amplitude (peak)	≤8V
Noise (1 to 20kHz)	≤2mg
Base Strain Sensitivity	0.6mg/με
Magnetic Sensitivity	2g/T
Thermal Transient Sensitivity	0.1g/°C (0.3Hz)
Output Impedance	≤100 Ω
DC Bias	12±2 V

PHYSICAL CHARACTERISTICS

Weight	25 g
Case Material	Stainless steel
Mounting Method	M5
Sensing Element	PZT-5
Sensor Design	Shear

