



SINOCERA



Global Sensor Technology

# Piezoelectric Accelerometer

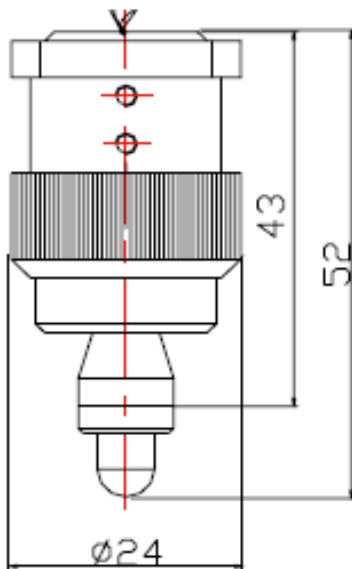
Model: CA-YD-135

### FEATURES

- Built-in amplifier
- For portable vibration meters

### SUPPLIED WITH

Calibration chart



### PERFORMANCE

Sensitivity (at $20 \pm 5^\circ\text{C}$ )	$2\text{mV/ms}^{-2}$
Measurement range	$100\text{ms}^{-2}$
Transverse sensitivity	$\leq 5\%$
Frequency response	see graph below
Frequency range (10%)	1 to 5kHz
Mounting resonance	20kHz
Temperature response	see graph below
Output phase	in phase with input

### ELECTRICAL CHARACTERISTICS

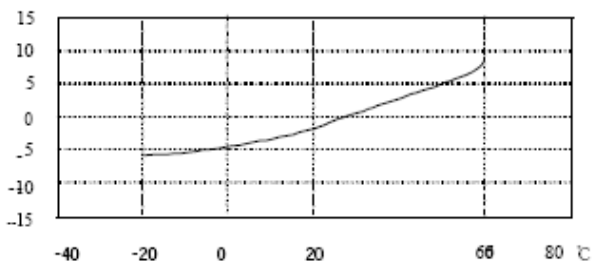
Supply voltage	$\pm 5\text{V(DC)}$
Signal maximum output	$< 2.0\text{Vpeak}$
Output impedance	$< 100\Omega$
DC offset	0V

### PHYSICAL CHARACTERISTICS

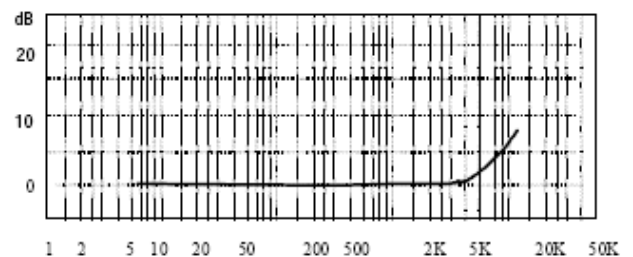
Weight	33g
Case material	LY12 Steel
Mounting	M5/probe needle
Sensing element	PZT-5
Sensor design	delta shear
Electrical connection	four core cable
	Red(+5v), green(-5v), grey(GND), white (output)

### ENVIRONMENTAL CHARACTERISTICS

Temperature range	$-40$ to $+60^\circ\text{C}$
Shock limit	$10,000\text{ms}^{-2}$ (1000g)



Typical Temperature Response



Typical Frequency Response